

Operation Microscope

OMS-90



CONNECTING VISIONS

An innovative concept providing optimal observation and versatile operation

The following unique features are incorporated in the new **OMS-90 Operation Microscope**

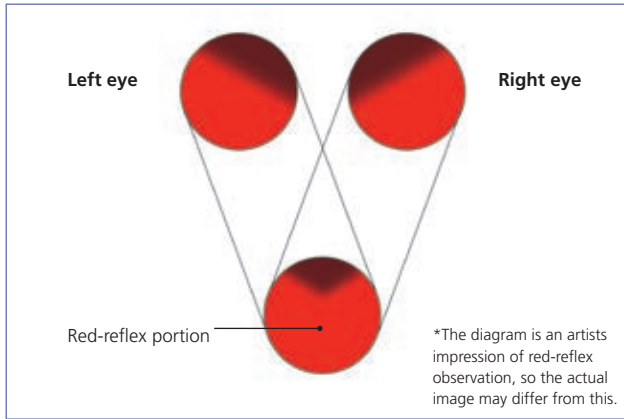


- New Coaxial Illumination
- Stain-proof Coated Objective Lens
- Parallel Binocular Tube
- PD Adjustment Knob
- Built-in Yellow Filter
- Compact Base

Features

New Coaxial Illumination

The newly designed illumination system of the OMS-90 assures the finest optical performance. The optical system has been fitted with a new and innovative design that allows the surgeon to view a sharper image, with more clarity than ever before.



The illumination system of the OMS-90 produces a superior red-reflex image for assistance in surgical procedures. As shown in the diagram, the innovative system design merges two improved field of views to produce an enhanced red-reflex and unparalleled image quality.

Stain-proof coated objective lens (f=200mm)

The newly developed stain-proof coating is applied to help retain a clear viewing area. The focal length (F=200mm) provides the standardized comfortable working distance.

Parallel binocular tube

The parallel binocular tube provides a natural stereo-scopic view.

Pd adjustment knob

The built-in PD adjustment feature offers easy alignment.

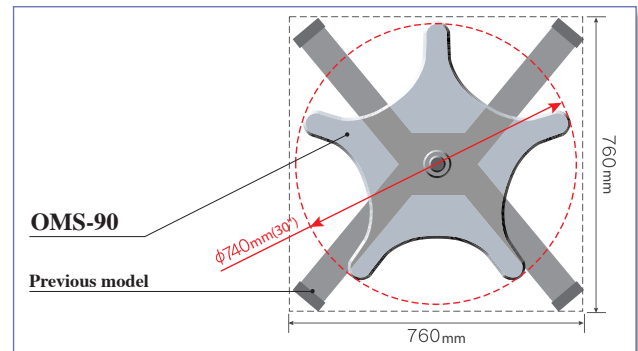
Built-in yellow filter

The flip in/out yellow filter is built into the system to allow full protection against retina phototoxicity.



Compact base

The new sturdy and compact Ø740mm (30") base is designed for optimal use of limited operating room floor space.



Optional accessories



X-Y Translator

The x-y translator adapter provides precise movement around the surgical field. A one-touch re-centering button is provided.



Assistant's Microscope

The parallel binocular assistant's microscope provides easy positioning, a wide field of view and 30 degrees of rotation.

Beam splitter (80/20 or 50/50)

An 80/20 or a 50/50 beam splitter is available for the attachment of documentation devices.



Oblique illuminator

The oblique illuminator offers a supplemental light source for indirect illumination. The slit will rotate 30 degrees and adjust from 0 to 20mm in width.

Accessory adapter model 2

The accessory adapter is required to attach the assistant's microscope and/or the oblique illuminator to the OMS-90.

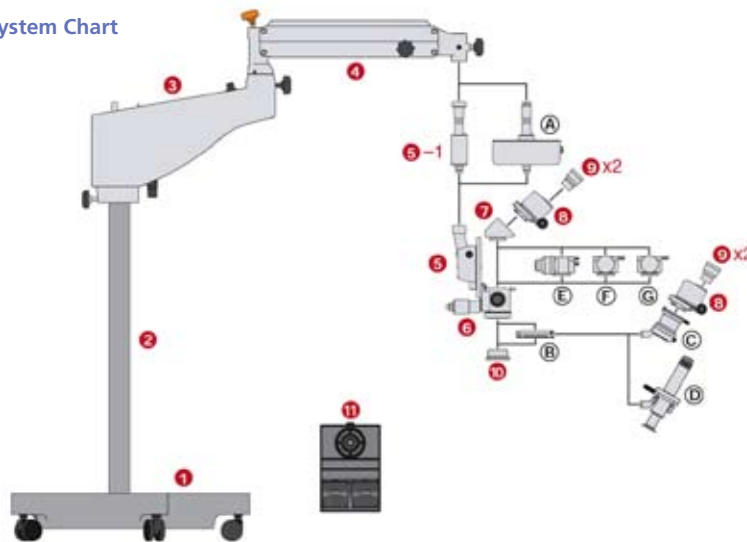
1/2 TV attachment

The 1/2 tv attachment incorporates a built-in beam splitter and lets the user connect a 1/2 inch C-mount camera to the OMS-90.

Specifications

Binocular tube	Parallel 45° inclined binocular tube
Objective lens	F=200mm
Eyepieces	12.5x
Magnification change type	Drum type with 5 changes
Total magnification	3.4x, 5.3x, 8.5x, 13.6x, 21.2x
Field of view	Ø 66.3, Ø 42.3, Ø 26.3, Ø 17.1, Ø 10.3 mm
X-Y Translator (option)	Range:±25mm
Light source	12V 100W halogen lamp (light guided system) (one-touch changeable two lamps)
Filter	Built-in: Heat-absorbing and UV cut filters Flip-in/out: Yellow filter
Length	1st arm: 400mm; 2nd arm: 560mm
Rotational angle	1st arm: 360°; 2nd arm: 300°
Base dimensions	Ø 740mm (30")
Primary voltage	AC100~120V or AC220~240V
Power frequency	50/60Hz°
Maximum power consumption	280VA 740mm (30")
Weight	97kg

System Chart



- 1 ----- Base
- 2 ----- Column
- 3 ----- 1st Arm
- 4 ----- 2nd Arm
- 5 ----- Focusing Unit
- 5-1 ----- Joint Arm
- 6 ----- Microscope Body
- 7 ----- 45° Inclined Adapter
- 8 ----- Parallel Binocular Tube
- 9 ----- 12.5X Eyepiece
- 10 ----- F=200mm Objective Lens
- 11 ----- Foot Switch

< Optional Accessories >

- A ----- X-Y Translator
- B ----- Accessory Adapter Model 2
- C ----- Assistant's Microscope
- D ----- Oblique Illuminator
- E ----- 1/2 TV Attachment
- F ----- Beam Splitter(80/20)
- G ----- Beam Splitter(50/50)



* Subject to change in design and/or specifications without advanced notice.

IMPORTANT In order to obtain the best results with this instrument, please be sure to review all user instructions prior to operation.

Topcon Europe Medical B.V.
Essebaan 11; 2908 LJ Capelle a/d IJssel; P.O. Box 145;
2900 AC Capelle a/d IJssel; The Netherlands
Phone: (+31) 10 4585077; Fax: (+31) 10 4585045
E-mail: medical@topcon.nl; www.topcon.eu

Topcon Deutschland GmbH
Giesserallee 31; D-47877 Willich, Germany
Phone: (+49) 2154 885 0; Fax: (+49) 2154 885 111
E-mail: info@topcon.de; www.topcon.de

Topcon Scandinavia A.B.
Neongatan 2; P.O. Box 25; 43151 Mölndal, Sweden
Phone: (+46) 31 7109200; Fax: (+46) 31 268607
E-mail: medical@topcon.se; www.topcon.se

Topcon Danmark
Praestemarksvej 25; 4000 Roskilde, Danmark
Phone: (+45) 45 327500; Fax: (+45) 46 327555
E-mail: topcon@topcondanmark.dk
www.topcondanmark.dk

Topcon España S.A.
HEAD OFFICE; Frederic Mompou, 5; 08960 Sant Just
Desvern; Barcelona, Spain
Phone: (+34) 93 4734057; Fax: (+34) 93 4191532
E-mail: medica@topcon.es; www.topcon.es

Topcon S.A.R.L.
HEAD OFFICE; 89, rue de Paris; 92585 Clichy, France
Phone: (+33) 1 41069494; Fax: (+33) 1 47390251
E-mail: topcon@topcon.fr; www.topcon.fr

Topcon Italy
Viale dell' Industria 60; 20037 PADERNO DUGNANO;
(MI) ITALY
Phone: (+39) 02 9186671; Fax: (+39) 02 91081091
E-mail: topconitaly@tiscali.it; www.topcon.it

Topcon (Great Britain) Ltd.
Topcon House; Kennet Side; Bone Lane; Newbury
Berkshire RG14 5PX; United Kingdom
Phone: (+44) 1635 551120; Fax: (+44) 1635 551170
E-mail: info@topcon.co.uk; www.topcon.co.uk

Topcon Ireland
Unit 69, Western Parkway; Business Centre
Lower Ballymount Road; Dublin 12
Phone: (+353) 1460 0021; Fax: (+353) 1460 0129
E-mail: topcon@indigo.ie

