

# Ophthalmic Unit

IS-600N



# FUNCTIONAL DESIGN



Topcon IS-600N Instrument Stand is the economical solution for eye-care practice architecture.

- » Available as right or left version
- » Compact design
- » Dimming of room light
- » Dimming of slit lamp illumination
- » Safety stopper

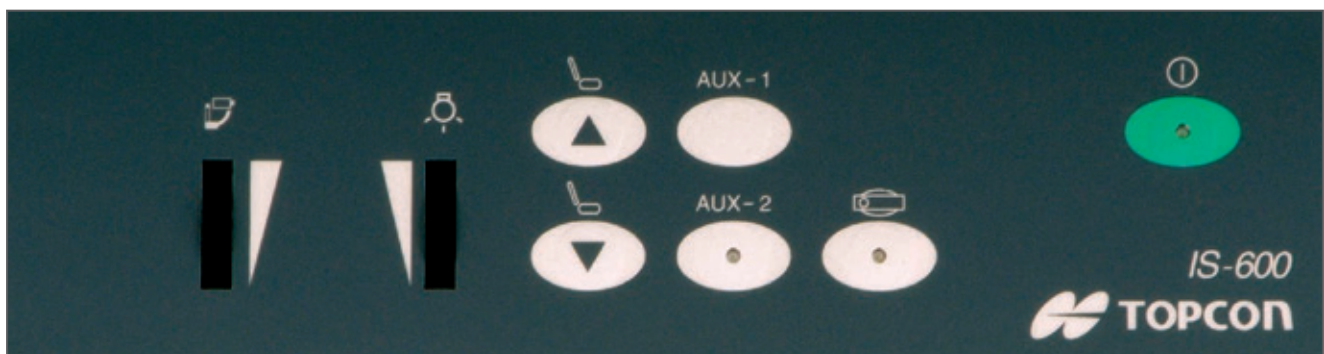
The Instrument stand IS-600N is available in both right and left version in the colour light grey.

The IS-600N can be completed with a dedicated trial lens drawer which is available in light grey and Topcon blue. The ophthalmic chair OC-63 is available in dark grey (RAL 7037) and blue (RAL5014).






The IS-600N requires just a small installation space of 2.25 m<sup>2</sup> (1.50m x 1.50m), whilst offering the possibility to install 2 instruments on the rotatable sliding table top.

The dedicated phoropter arm VT-61 and projector support (both optional) allow mounting of a manual phoropter VT-10 or an automated phoropter CV-5000 and chart projector ACP-8. The (optional) halogene light ensures sufficient illumination.

## Main panel



Ease of operation is guaranteed by the intuitive layout of the control panel.

- |  |   |
|--|---|
| <p>① Main switch ON/OFF for power supply.</p> <p>AUX - 1 Control ON/OFF for output AUX1, free of potential (mainly for the room lighting).</p> <p> Chair upwards function.</p> <p> Control ON/OFF projector.</p> <p>AUX - 2 Auxiliary output for instrument, AUX2, control ON/OFF free of potential.</p> | <p> Chair downwards function. A fast double-speed action automatically returns the chair to the median position.</p> <p> Rheostat for halogen lamp (0-230V / 0-100 W), equipped with electronic soft-start system to protect the bulb.</p> <p> Rheostat for tabletop instruments 0-12V. / 0-60 W max. selected from 3/4.5/6/9/12 voltage transformer inside the unit base.</p> |
|--|---|

# OPTIONS

## Optional accessories



The trial lens drawer accommodates your trial lens set and is available in light grey and blue



The balance phoropter arm VT-61 for smooth positioning of the phoropter using the handy grip.



Dimmable halogene light.

The rotatable sliding tabletop can be raised with 70mm through the use of an optional spacer.

## OC-63 Chair

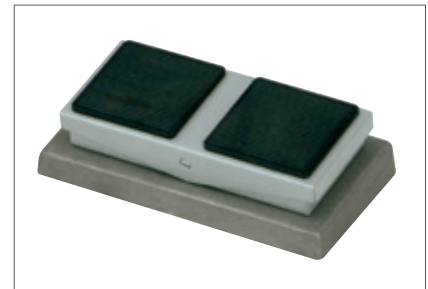
The Ophthalmic chair OC-63 for IS-600N with reclinable armrests offers a comfortable position for your patients.



OC-63



Footrest (OC 63)

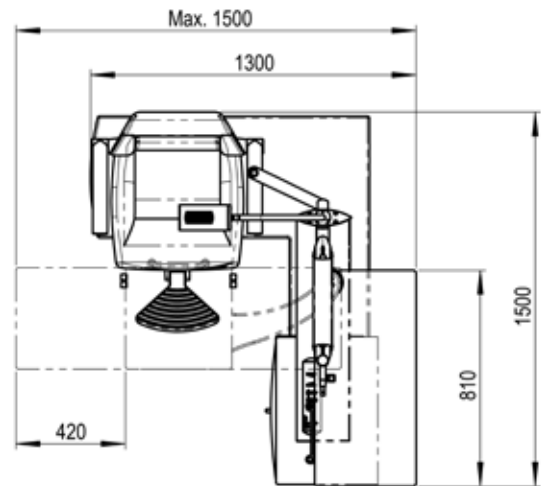
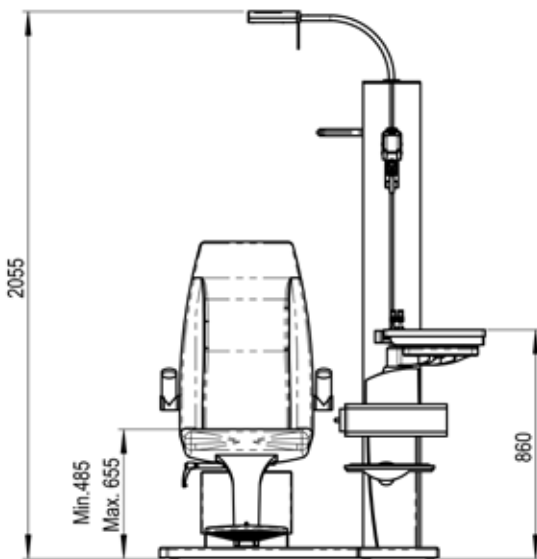


The elevation of the OC-63 can be operated by the main control panel of IS-600N and/or by the optional footswitch

Chair	OC-63
Backrest	Fixed type
Armrest	Reclining type
Footrest (Optional accessory)	Yes
Maximum Load	175 kg
Horizontal displacement	No
Maximum height	615 mm
Minimum height	445 mm
Stroke	170 mm
80° rotation with manual lock	Yes
Maximum power consumption	700 VA
Electrical classification	Class 1B
Net weight	32 kg
Overload: thermal protection	135°
Motor stop 3 min approx. duty cycle 1/9 min.	

## Technical Specifications

<b>Power</b>	220-240 V / 50-60 Hz
<b>Maximum consumption</b>	1000 VA
<b>Electrical classification</b>	Class 1 B
<b>Electrical protection class</b>	IP21
<b>Consumption of first tabletop instrument (SL)</b>	3-12V / 5A
<b>Consumption of second tabletop instrument (SL)</b>	3-12V / 5A
<b>Overhead lamp output</b>	0-240V / Max 100W
<b>Net weight IS-600N + OC-63 chair</b>	160 kg
<b>Maximum overload of instruments in the tabletop</b>	20 kg + 20 kg



### IMPORTANT

Subject to change in design and/or specifications without advanced notice.

In order to obtain the best results with this instrument, please be sure to review all user instructions prior to operation.



#### Topcon Europe Medical B.V.

Essebaan 11, 2908 LJ Capelle a/d IJssel, P.O. Box 145;  
2900 AC Capelle a/d IJssel, The Netherlands  
Phone: +31-(0)10-4585077; Fax: +31-(0)10-4585045  
E-mail: medical@topcon.eu; www.topcon-medical.eu

#### Topcon Danmark

Praestemarksvej 25; 4000 Roskilde, Danmark  
Phone: +45-46-327500; Fax: +45-46-327555  
E-mail: info@topcon.dk  
www.topcon.dk

#### Topcon Scandinavia A.B.

Neogatatan 2; P.O. Box 25; 43151 Mölndal, Sweden  
Phone: +46-(0)31-7109200; Fax: +46-(0)31-7109249  
E-mail: medical@topcon.se; www.topcon.se

#### Topcon España S.A.

HEAD OFFICE; Frederic Mompou, 4;  
08960 Sant Just Desvern; Barcelona, Spain  
Phone: +34-93-4734057; Fax: +34-93-4733932  
E-mail: medica@topcon.es; www.topcon.es

#### Topcon Italy

Viale dell'Industria 60;  
20037 Paderno Dugnano, (MI) Italy  
Phone: +39-02-9186671; Fax: +39-02-91081091  
E-mail: info@topcon.it; www.topcon.it

#### Topcon France

BAT A1; 3 route de la révolte, 93206 Saint Denis Cedex  
Phone: +33-(0)1-49212323; Fax: +33-(0)1-49212324  
E-mail: topcon@topcon.fr; www.topcon.fr

#### Topcon Deutschland GmbH

Hanns-Martin-Schleyer Strasse 41;  
D-47877 Willich, Germany  
Phone: (+49) 2154-885-0; Fax: (+49) 2154-885-177  
E-mail: info@topcon-medical.de; www.topcon-medical.de

#### Topcon Polska Sp. z o.o.

ul. Warszawska 23; 42-470 Siewierz; Poland  
Phone: +48-(0)32-670-50-45; Fax: +48-(0)32-671-34-05  
www.topcon-polska.pl

#### Topcon (Great Britain) Ltd.

Topcon House; Kennet Side; Bone Lane; Newbury  
Berkshire RG14 5PX; United Kingdom  
Phone: +44-(0)1635-551120; Fax: +44-(0)1635-551170  
E-mail: medical@topcon.co.uk; www.topcon.co.uk